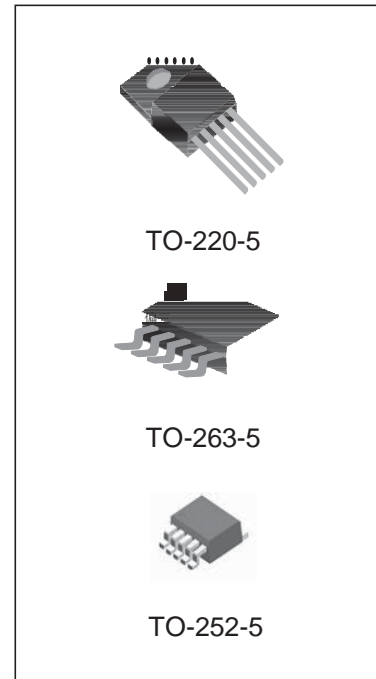


## 3A 150KHZ DC switching voltage stabilizing circuit

### Overview

LM2596/LM2596HV is a fixed frequency PWM DCDC voltage stabilizing power converter with fixed frequency of 150KHz. With the 3A output current driving ability, it has characteristics such as high efficiency, low ripple wave, high linear adjustment rate and load regulation. With the PWM modulation mode, the chip can adjust the linear ranges of the duty ratio of 0-100%.

LM2596/LM2596HV has a built-in fixed frequency oscillator and a frequency compensation module, with simple use, and only a small number of external components and parts are needed. In addition, the chip has built-in functions such as enabling, over-temperature protection, over-current protection and stimulation over-current protection with the hysteresis function. In condition of secondary over-current protection, the built-in down-conversion function can reduce the working frequency from 150KHz to 50KHz.



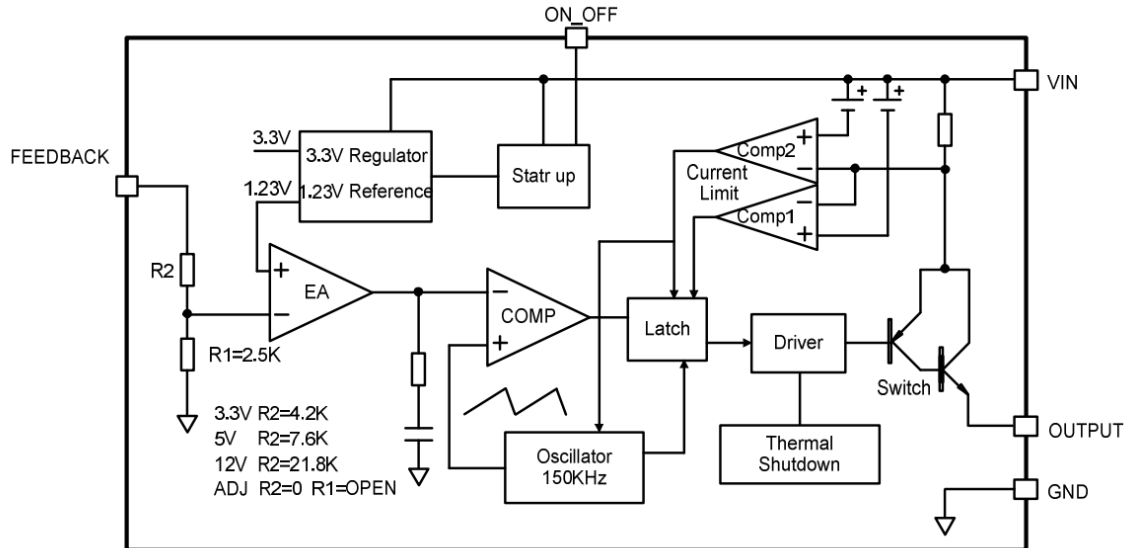
### Product features

- Input voltage ranges from 4.5V to 40V, 60V for HV model
- The voltage stabilizing output has 3.3V, 5V, 12V and output adjustable version, and the adjustable ranges of the output adjustable version are from 1.23V to 37V, 57V for the HV model;
- The adjustable ranges of the duty ratio: 0~100%
- Minimum saturation voltage drop: 1.5V 150KHz fixed working frequency
- 3A fixed current output capacity
- ON\_OFF hysteresis switch function
- Built-in over-temperature protection and over-current protection
- Built-in frequency compensation function
- High working efficiency, linear adjustment rate and load adjustment rate

### Applications

- LCD monitor, LCD TV
- Digital Frame
- TV set top box
- Modulator demodulators
- Various telephones and network equipment

## Internal block diagram



## Absolute Maximum Ratings

Parameters	Symbol	Ranges	Unit
Input supply voltage LM2596	$V_{IN}$	~40	V
Input supply voltage LM2596HV	$V_{IN}$	~60	V
Voltage feedback end voltage	$V_{FB}$	-0.3 ~ $V_{IN}$	V
Switch end voltage	$V_{ON\ OFF}$	-0.3~ $V_{IN}$	V
Power tube output end voltage	$V_{OUT\ PUT}$	-0.3~ $V_{IN}$	V
Power consumption	$P_D$	Internal limitation	mW
Working junction temperature	$T_J$	-40-125	°C
Storage temperature	$T_{STG}$	-65 ~150	°C
Bonding wire temperature	$T_{LEAD}$	260	°C
ESD ability (human body discharge mode)	ESD	2000	V

Notes1: If the value applied to the circuit is larger than the maximum limit in the parameter values in the above table, it may lead to permanent damages to the chip. Continuous working of several periods of the chip in the absolute conditions in the above table may lead to influences on reliability of the chip.

## Recommended working conditions

Parameters	Symbol	Ranges	Unit
Input voltage LM2596	$V_{IN}$	5~40	V
Input voltage LM2596HV	$V_{IN}$	5~60	V
Working junction temperature ranges	$T_J$	-40~+125	°C

Electrical characteristics (unless otherwise specified, the parameters indicated in black,  $T_a = 25^\circ\text{C}$ , normal working junction temperature ranges of  $-40^\circ\text{C} \sim 125^\circ\text{C}$ .)

LM2596-3.3/LM2596HV-3.3 Electrical characteristics

$T_a = 25^\circ\text{C}$ , unless otherwise specified

Parameters	Symbols	Testing conditions	Min	Typical	Max	Unit
System parameters are shown in Figure 5						
Output voltage stabilization value LM2596-3.3	$V_{OUT}$	$V_{IN}=4.75\text{V} \sim 40\text{V}$ $I_{LOAD}=0.2\text{A} \sim 3\text{A}$	3.168	3.3	3.432	V
Output voltage stabilization value LM2596HV-3.3	$V_{OUT}$	$V_{IN}=4.75\text{V} \sim 60\text{V}$ $I_{LOAD}=0.2\text{A} \sim 3\text{A}$	3.168	3.3	3.432	V
Efficiency	$\eta$	$V_{IN}=12\text{V}, V_{OUT}=3.3\text{V}$ $I_{LOAD}=3\text{A}$		73		%

LM2596-5.0/LM2596HV-5.0 Electrical characteristics

$T_a = 25^\circ\text{C}$ , unless otherwise specified

Parameters	Symbols	Testing conditions	Min	Typical	Max	Unit
System parameters are shown in Figure 5						
Output voltage stabilization value LM2596-5.0	$V_{OUT}$	$V_{IN}=7\text{V} \sim 40\text{V}$ $I_{LOAD}=0.2\text{A} \sim 3\text{A}$	4.8	5	5.2	V
Output voltage stabilization value LM2596HV-5.0	$V_{OUT}$	$V_{IN}=7\text{V} \sim 60\text{V}$ $I_{LOAD}=0.2\text{A} \sim 3\text{A}$	4.8	5	5.2	V
Efficiency	$\eta$	$V_{IN}=12\text{V}, V_{OUT}=5\text{V}$ $I_{LOAD}=3\text{A}$		80		%

LM2596-12/LM2596HV-12 Electrical characteristics

$T_a = 25^\circ\text{C}$ , unless otherwise specified

Parameters	Symbols	Testing conditions	Min	Typical	Max	Unit
System parameters are shown in Figure 5						
Output voltage stabilization value LM2596-12	$V_{OUT}$	$V_{IN}=15\text{V} \sim 40\text{V}$ $I_{LOAD}=0.2\text{A} \sim 3\text{A}$	11.52	12	12.48	V
Output voltage stabilization value LM2596HV-12	$V_{OUT}$	$V_{IN}=15\text{V} \sim 60\text{V}$ $I_{LOAD}=0.2\text{A} \sim 3\text{A}$	11.52	12	12.48	V
Efficiency	$\eta$	$V_{IN}=25\text{V}, V_{OUT}=12\text{V}$ $I_{LOAD}=3\text{A}$		90		%

## LM2596-ADJ/LM2596HV-ADJ Electrical characteristics

Ta=25 ° C, unless otherwise specified

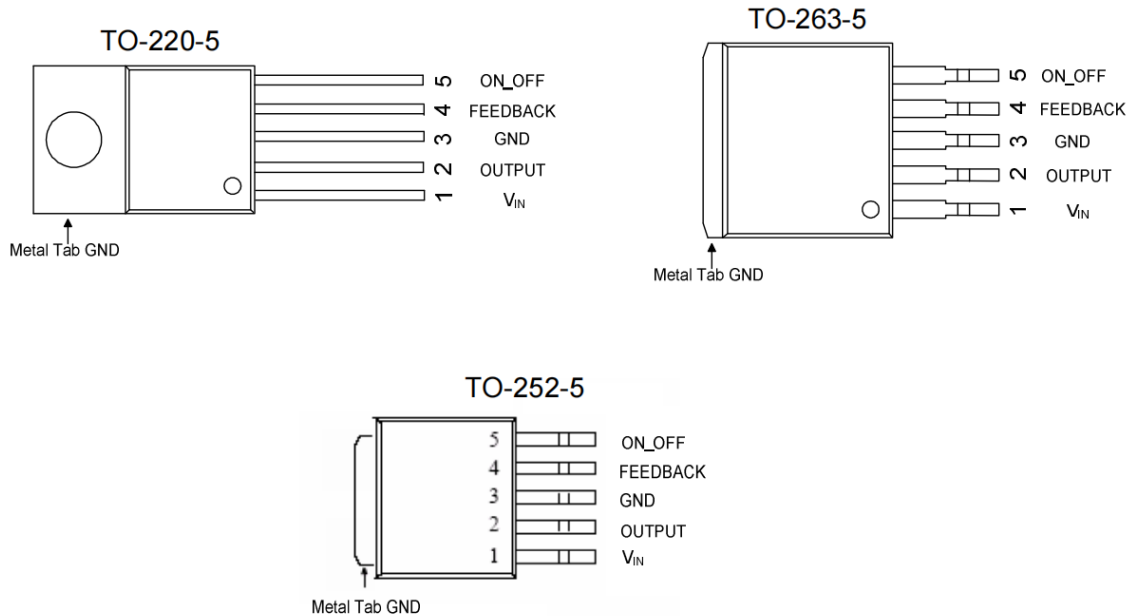
Parameters	Symbols	Testing conditions	Min	Typical	Max	Unit
System parameters are shown in Figure 5						
Output voltage stabilization value LM2596-ADJ	V <sub>OUT</sub>	V <sub>IN</sub> =4.5V~40V I <sub>LOAD</sub> =0.2A~3A	1.193	1.23	1.267	V
Output voltage stabilization value LM2596HV-ADJ	V <sub>OUT</sub>	V <sub>IN</sub> =4.5V~60V I <sub>LOAD</sub> =0.2A~3A	1.193	1.23	1.267	V
Efficiency	$\eta$	V <sub>IN</sub> =12V, V <sub>OUT</sub> =3V I <sub>LOAD</sub> =3A		73		%

### All the electrical DC parameters

3.3V, 5V, ADJ version V<sub>IN</sub>=24V. GND=0, A 220uF/50V capacity is connected in parallel between V<sub>IN</sub> and GND. I<sub>our</sub> = 00mA, Ta=25 °C .unless otherwise noted.

Parameters	Symbols	Testing conditions	Min	Typical	Max	Unit
Input working voltage LM2596	V <sub>IN</sub>		4.5		40	V
Input working voltage LM2596HV			4.5		60	
Standby current	I <sub>STBY</sub>	V <sub>ON-OFF</sub> =5V		80	200	uA
Working frequency	F <sub>osc</sub>		127	150	173	KHz
Limited current	I <sub>L</sub>	V <sub>FB</sub> =0	3.6	4.8	6.9	A
Switch pin threshold voltage	V <sub>ON-OFF</sub>	High (control off) Low (control on)		1.4 0.8		V
Switch pin electric leakage	I <sub>H</sub> I <sub>L</sub>	V <sub>ON-OFF</sub> =2.5V(OFF) V <sub>ON-OFF</sub> =2.5V(ON)		5 0.2	15 5	Ua uA
Saturation voltage	V <sub>CE</sub>	V <sub>FB</sub> =0V I <sub>OUT</sub> =3A		1.3	1.5	V
Maximum duty ratio	D <sub>MAX</sub>	V <sub>FB</sub> =0V		100		%
Thermal factor (No cooling fin, TO220, TO263 package)	R <sub>JA</sub>			50		°C/W

## Pin Configuration Diagram



## Description of pins

No. of pin	Pin name	I/O	Function Description
1	$V_{IN}$	I	It is the supply input pin. A DC power supply of 4.5V-40V with HV model of 60V shall be provided during working. Connect a large capacitor between the supply pin and the ground in a parallel way, to eliminate supply noise.
2	OUTPUT	O	It is the power tube output pin. The power tube output pin is a switching node that supplies power for the output load.
3	GND	--/O	It is the grounding pin. Care should be taken during layout that this pin should be placed on the output capacitor ground path other than the Schottky diode to prevent switching current spikes from causing noise to the circuit.
4	FEEDBACK	I/O	It is the feedback pin. The voltage feedback end monitors the output voltage and conduct control through an external resistance potential-divider. The threshold voltage of the feedback end is 1.23V.
5	ON-OFF	I	It is the enabling switch pin. The switch pin makes the chip work through applying a low voltage; the application of the high level will make the chip cut off. When it is floating, it is default as the low level.

## Functional description

**LM2596/ LM2596HV** is a step-down voltage stabilizing DC power supply converter, which aims to convert high-voltage DC voltage with large noises and ripple waves to low-voltage DC voltage-stabilizing output with small noises and ripple waves.

**LM2596/ LM2596HV** has four different versions, i.e., 3.3V, 5V, 12V and output voltage adjustable version according to different output voltage stabilizing values. The device is equipped with the over-temperature protection function and the current-limiting protection function.

LM2596 series of step-down voltage regulator design procedures (fixed output)

Conditions			Inductor (L1))	Output Capacitance (COUT)				
				Through-hole electrolysis				
Output voltage (V)	Load current (A)	Maximum input voltage (V)	Output voltage (V)	Load current (A)	Maximum input voltage (V)	Output voltage (V)	Load current (A)	
3.3	3	5	22	470/25	560/16	330/6.3	390/6.3	
		7	22	560/35	560/35	330/6.3	390/6.3	
		10	22	680/35	680/35	330/6.3	390/6.3	
		40	33	560/35	470/35	330/6.3	390/6.3	
	2	6	22	470/25	470/35	330/6.3	390/6.3	
		10	33	330/35	330/35	330/6.3	390/6.3	
		40	47	330/35	270/50	220/10	330/10	
	5	3	8	22	470/25	560/16	220/10	330/10
			10	22	560/25	560/25	220/10	330/10
15			33	330/35	330/35	220/10	330/10	
40			47	330/35	270/35	220/10	330/10	
2		9	22	470/25	560/16	220/10	330/10	
		20	68	180/35	180/35	100/10	270/10	
		40	68	180/35	180/35	100/10	270/10	
12	3	15	22	470/25	470/25	100/16	180/16	
		18	33	330/25	330/25	100/16	180/16	
		30	68	180/25	180/25	100/16	120/20	
		40	68	180/35	180/25	100/16	120/20	
	2	15	33	330/25	330/25	100/16	180/16	
		20	68	180/25	180/25	100/16	120/20	
		40	150	82/25	82/25	68/20	68/25	

## LM2596 series of step-down voltage regulator design procedures (adjustable output)

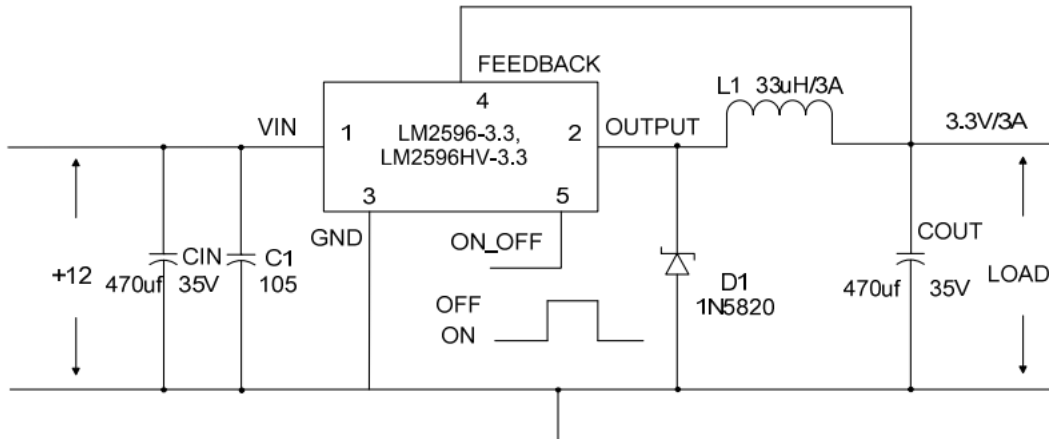
Output voltage (V)	Through-hole output electrolysis			Surface mount output capacitor		
	Panasonic HFQ series (uf/V)	Nichicon PL series (uf/V)	Front feed capacitor	AVX TPS series (uf/V)	Sprague 595D series (uf/V)	Front feed capacitor
2	820/35	820/35	33nf	330/6.3	470/4	33nf
4	560/35	470/35	10nf	330/6.3	390/6.3	10nf
6	470/25	470/35	3.3nf	220/10	330/10	3.3nf
9	330/25	330/25	1.5nf	100/16	180/16	1.5nf
12	330/25	330/25	1nf	100/16	180/16	1nf
15	220/25	220/35	680pf	68/20	120/20	680pf
24	220/35	150/35	560pf	33/25	33/25	220pf
28	100/50	100/50	390pf	10/35	15/50	220pf

## Schottky diode model selection table

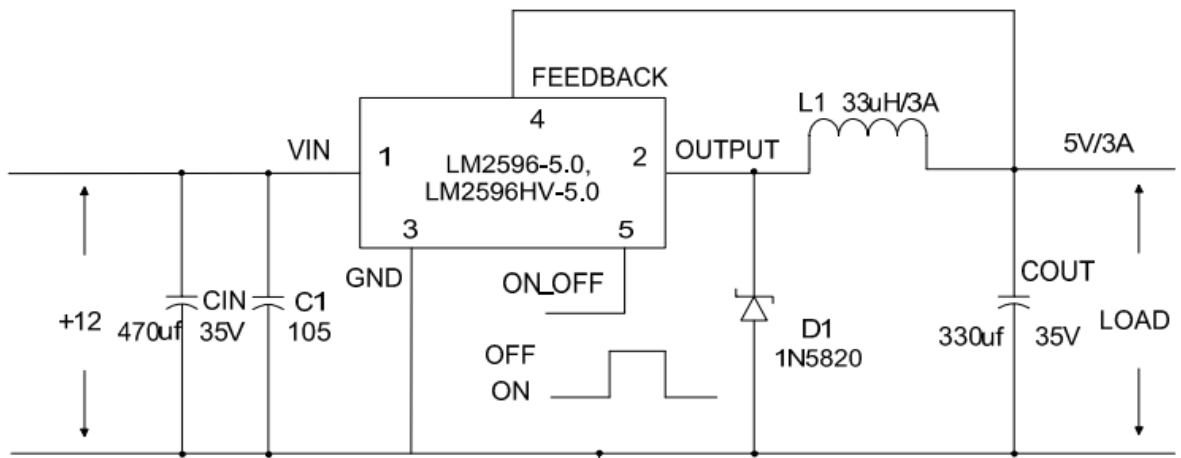
Current	Surface mount	Through-hole mount	VR (the same as the max. input voltage of the system)				
			20V	30V	40V	50V	60V
1A		/	1N5817	1N5818	1N5819		
3A		/	1N5820	1N5821	1N5822		
		/	MBR320	MBR330	MBR340	MBR350	MBR360
	/		SK32	SK33	SK34	SK35	SK36
	/			30WQ03	30WQ04	30WQ05	
		/		31DQ03	31DQ04	31DQ05	
		/	SR302	SR303	SR304	SR305	SR306
5A		/	1N5823	1N5824	1N5825		
		/	SR502	SR503	SR504	SR505	SR506
		/	SB520	SB530	SB540	SB550	SB560
	/			50WQ03	50WQ04	50WQ05	

Typical application circuit Figure

3.3V voltage stabilizing output version

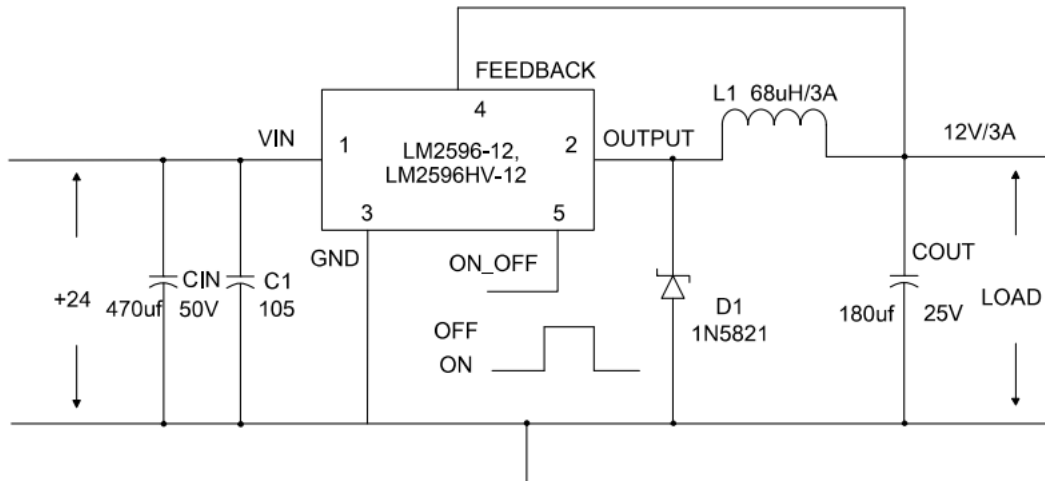


5.0 V voltage stabilizing output version

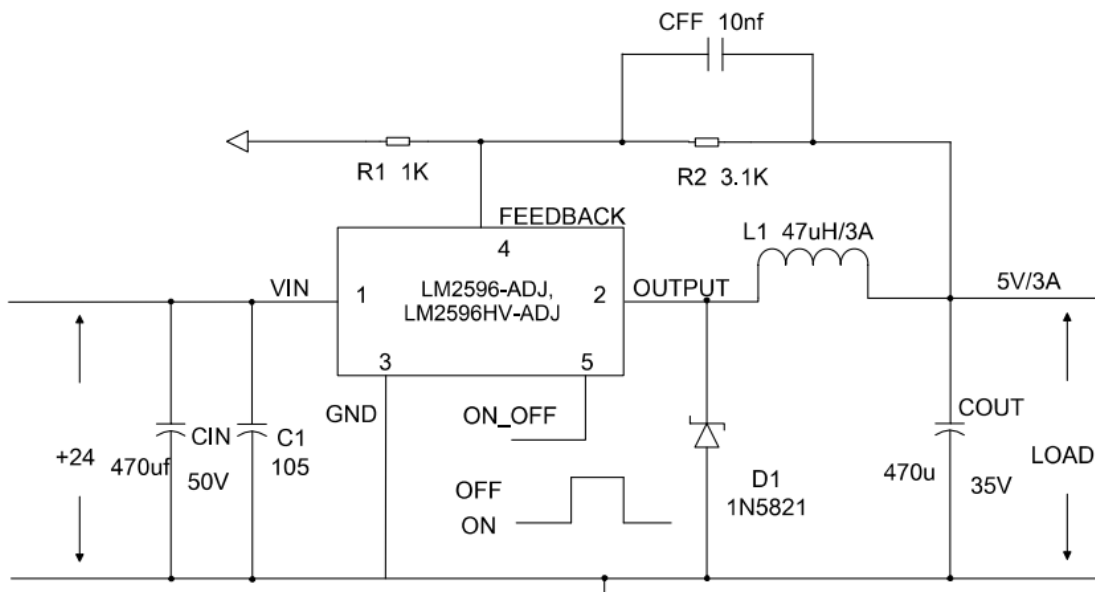




**12 V voltage stabilizing output version**



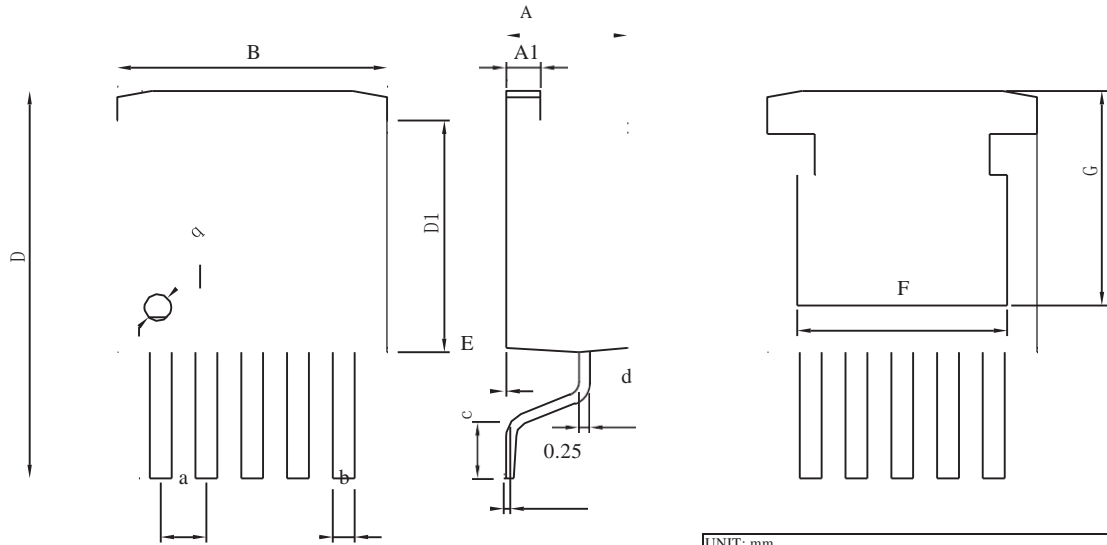
**Output adjustable version**



Notes: The circuit and parameters mentioned above are for reference only, and please set the parameters for actual application circuit based on sufficient actual measurement.

Package profile drawing

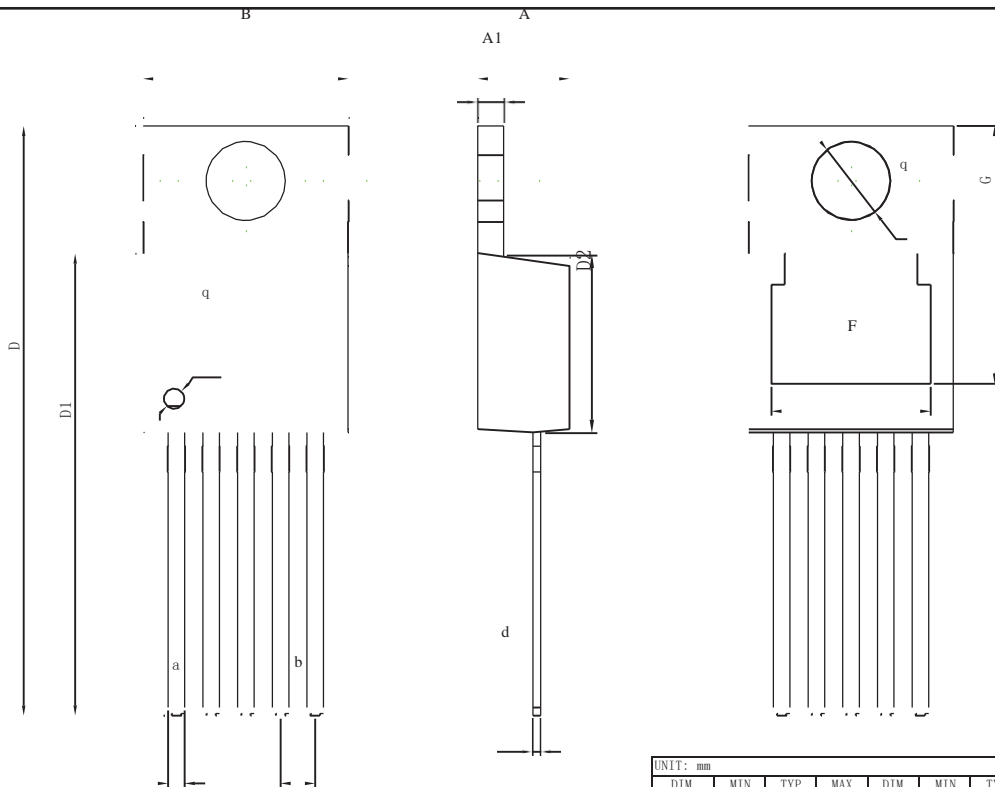
TO263-5



UNIT: mm

DIM.	MIN	TYP	MAX	DIM.	MIN	TYP	MAX
A	4.520	4.570	4.620	D1	8.690	8.740	8.790
A1	1.250	1.270	1.290	E	0	0.100	0.200
B	10.030	10.130	10.330	F		7.800	
a	1.680	1.700	1.720	G		7.97	
b	0.710	0.810	0.910	d	0.365	0.380	0.395
c	1.890	2.040	2.190	q	0.950	1.0	0.120
D	14.280	14.380	14.480				

TO220-5

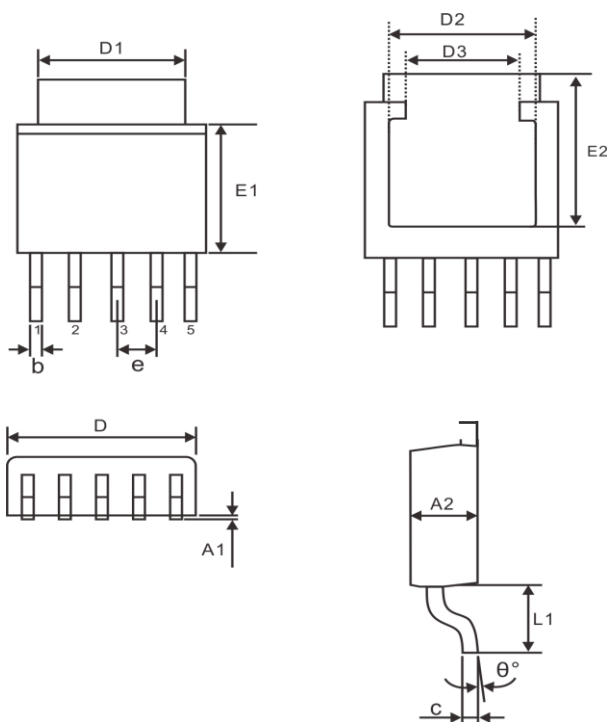


UNIT: mm

DIM.	MIN	TYP	MAX	DIM.	MIN	TYP	MAX
A	4.520	4.570	4.620	D1	22.420	22.520	22.620
A1	1.250	1.270	1.290	D2	8.690	8.740	8.790
B	10.030	10.130	10.330	d	0.365	0.380	0.395
a	1.680	1.700	1.770	q	3.790	3.840	3.890
b	0.710	0.810	0.910	F		7.800	
D	28.600	28.700	28.850	G		12.620	

Package profile drawing

TO252-



UNIT: mm

DIM.	MIN	TYP	MAX	DIM.	MIN	TYP	MAX
A1	0		0.25	D1		5.30	
A1	2.10	2.30	2.50	D2		4.90	
b	0.46		0.60	D3		3.50	
c	0.49		0.56	L1	3.0	3.10	3.20
E1	5.30	5.50	5.70	$\theta$	0		10
E2		5.30					
D	0.63	6.50	6.70				

Product name	Package	Package	Quantity of packing
LM2596S-3.3	T0-263-5	Taping	800 pieces/tray
LM2596S-5.0		Taping	800 pieces/tray
LM2596S-12		Taping	800 pieces/tray
LM2596S-15		Taping	800 pieces/tray
LM2596S-ADJ		Taping	800 pieces/tray
LM2596HVS-3.3	T0-263-5	Taping	800 pieces/tray
LM2596HVS-5.0		Taping	800 pieces/tray
LM2596HVS-12		Taping	800 pieces/tray
LM2596HVS-15		Taping	800 pieces/tray
LM2596HVS-ADJ		Taping	800 pieces/tray
LM2596T-3.3	T0-220-5	Piping	1000 pieces/box
LM2596T-5.0		Piping	1000 pieces/box
LM2596T-12		Piping	1000 pieces/box
LM2596T-15		Piping	1000 pieces/box
LM2596T-ADJ		Piping	1000 pieces/box
LM2596HVT-3.3	T0-220-5	Piping	1000 pieces/box
LM2596HVT-5.0		Piping	1000 pieces/box
LM2596HVT-12		Piping	1000 pieces/box
LM2596HVT-15		Piping	1000 pieces/box
LM2596HVT-ADJ		Piping	1000 pieces/box
LM2596MDT-3.3	T0-252-5	Taping	2500 pieces/tray
LM2596MDT-5.0		Taping	2500 pieces/tray
LM2596MDT-12		Taping	2500 pieces/tray
LM2596MDT-15		Taping	2500 pieces/tray
LM2596MDT-ADJ		Taping	2500 pieces/tray